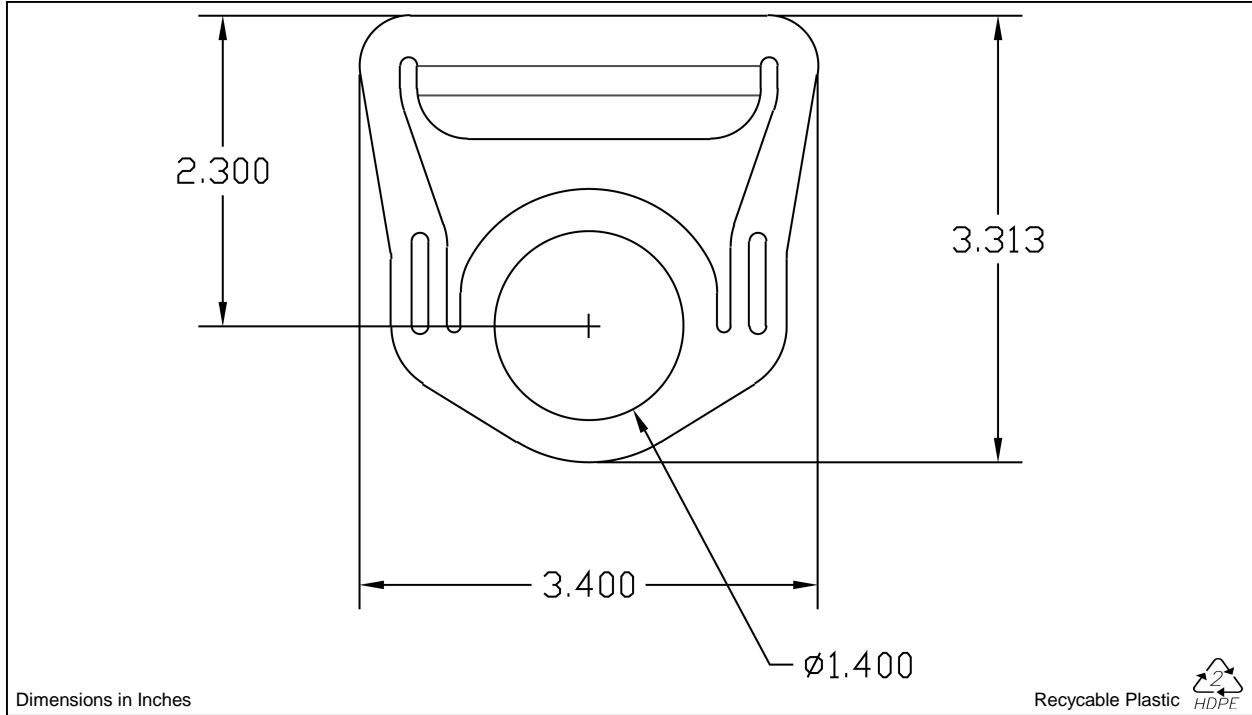


Product Group: **Bottle Carriers**
 Item: **B150.38**
 Description: **Single Bail 38mm Cap**



Quality Specifications

Material:	High Density Polyethylene	Cartridge Count:	182
Gauge:	0.061" ± 0.001"	Cartridge Weight:	1,226.68
Flatness Gauge:	1 Part Thickness		
Surface Finish:	Gloss		
Part Weight :	6.74 grams		

*Ask us about customizing a product to meet your specifications.
 Custom colors available from Pantone Matching System.*

Packaging Information		Loose:	Case Id: NA	Welded:	Case Id: 19C2
Case Quantity:	N/A			3,400	
Case Dimensions:	N/A			19.875" x 12.125" x 11.125"	
Pads per Case:	N/A			4	
Pad Dimensions:	N/A			19.25" x 11.875"	
Case Weight:	N/A			44.00 lbs	
Pallet Weight:	N/A			Domestic - 1,272 lbs	International - 1,888 lbs
Cases per Pallet:	N/A			Domestic - 28	International - 42
Parts per Pallet:	N/A			Domestic - 95,200	International - 142,800

Packaging Notes: Loose - N/A Welded - A 19P pad is placed on the bottom of a 19C2 case, followed by 3 layers of 6 welded sticks containing 189 parts (minimum). Each layer is separated by a 19P pad, another 19P pad is placed on top and the box is tape sealed.