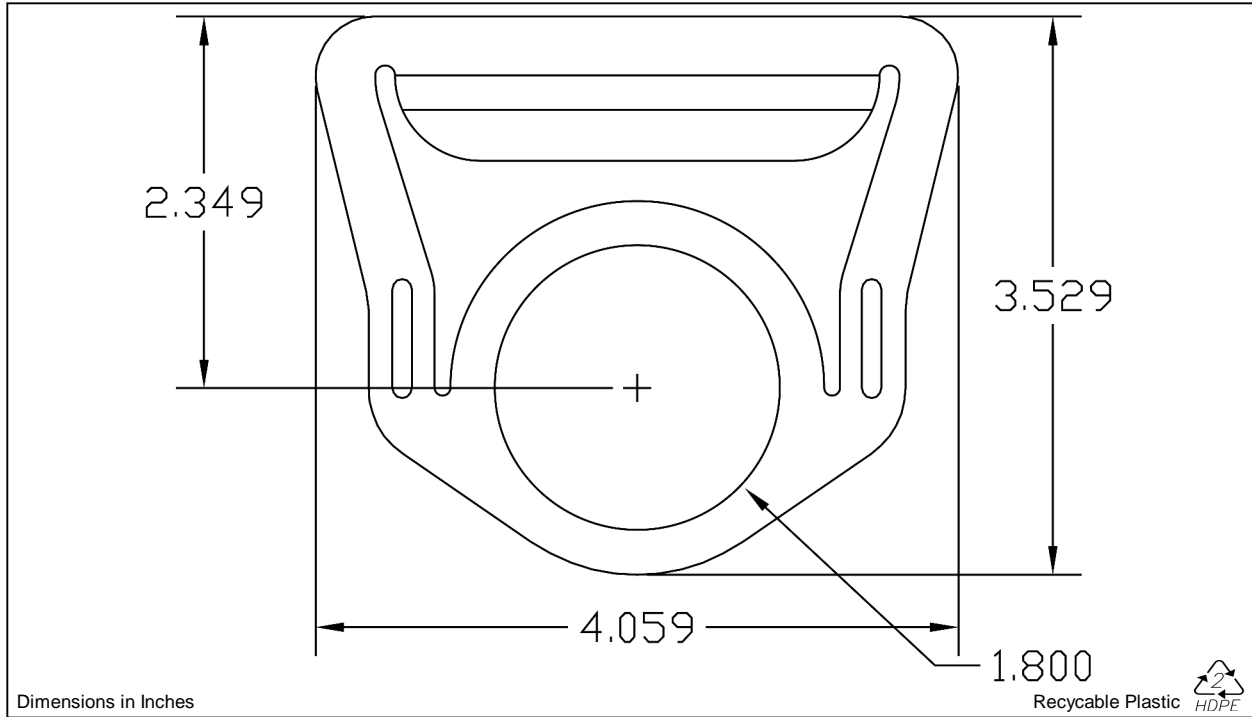


Product Group: **Bottle Carriers**
 Item: **B150.48**
 Description: **Single Bail 48mm Cap**



Quality Specifications

Material:	High Density Polyethylene	Cartridge Count:	190
Thickness:	0.061" ± 0.001"	Cartridge Weight:	1,280.60
Flatness Gauge:	1 Part Thickness		
Surface Finish:	Gloss		
Part Weight :	6.74 grams		

*Ask us about customizing a product to meet your specifications.
 Custom colors available from Pantone Matching System.*

Packaging Information		Loose:	Case Id: NA	Welded:	Case Id: 19C2
Case Quantity:	N/A			2,850	
Case Dimensions:	N/A			19.875" x 12.125" x 11.125"	
Pads per Case:	N/A			3	
Pad Dimensions:	N/A			19.25" x 11.875"	
Case Weight:	N/A			42.20 lbs	
Pallet Weight:	N/A			Domestic - 1,517 lbs	International - 1,517 lbs
Cases per Pallet:	N/A			Domestic - 35	International - 35
Parts per Pallet:	N/A			Domestic - 99,750	International - 99,750

Packaging Notes: Loose - N/A Welded - A 19P pad is placed on the bottom of a 19C2 case, followed by 3 layers of 5 welded sticks containing 190 parts (minimum). Each layer is separated by a 19P pad, another 19P pad is placed on top and the box is tape sealed.