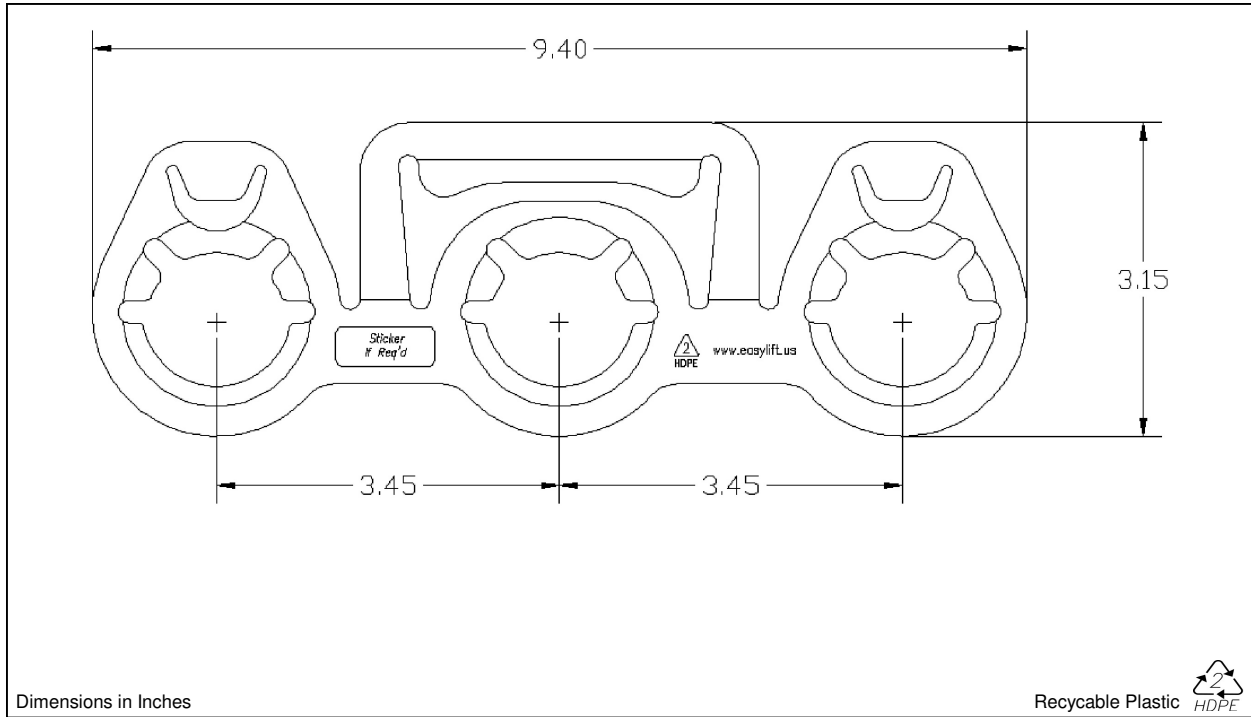


Product Group: **Bottle Carriers**
 Item: **B335.38L.35**
 Description: **3 Pack Bail 38mm Neck**



Quality Specifications

Material: High Density Polyethylene
Gauge: 0.035" ± 0.001"
Flatness Gauge: 1 Part Thickness
Surface Finish: Gloss
Part Weight : 8.80 grams

*Ask us about customizing a product to meet your specifications.
 Custom colors available from Pantone Matching System.*

Packaging Information	Loose: Case Id: 96C	Welded: Case Id:
Case Quantity:	1,500	N/A
Case Dimensions:	22.625" x 9.5" x 8.938"	N/A
Pads per Case:	5	N/A
Pad Dimensions:	8.688" x 8.75"	N/A
Case Weight:	29.10 lbs	N/A
Pallet Weight:	Domestic - 1,670 lbs	N/A
Cases per Pallet:	Domestic - 56	N/A
Parts per Pallet:	Domestic - 84,000	N/A

Packaging Notes: *Loose - Six vertical stacks of 250 parts are placed in a 96C carton. Each stack is separated by a vertical 96P pad. Then the carton is tape sealed. A full pallet load consists of a 40" x 48" pallet with 7 layers of 8 cartons with 1500 parts per carton or 84,000 parts per pallet load. Welded - N/A*