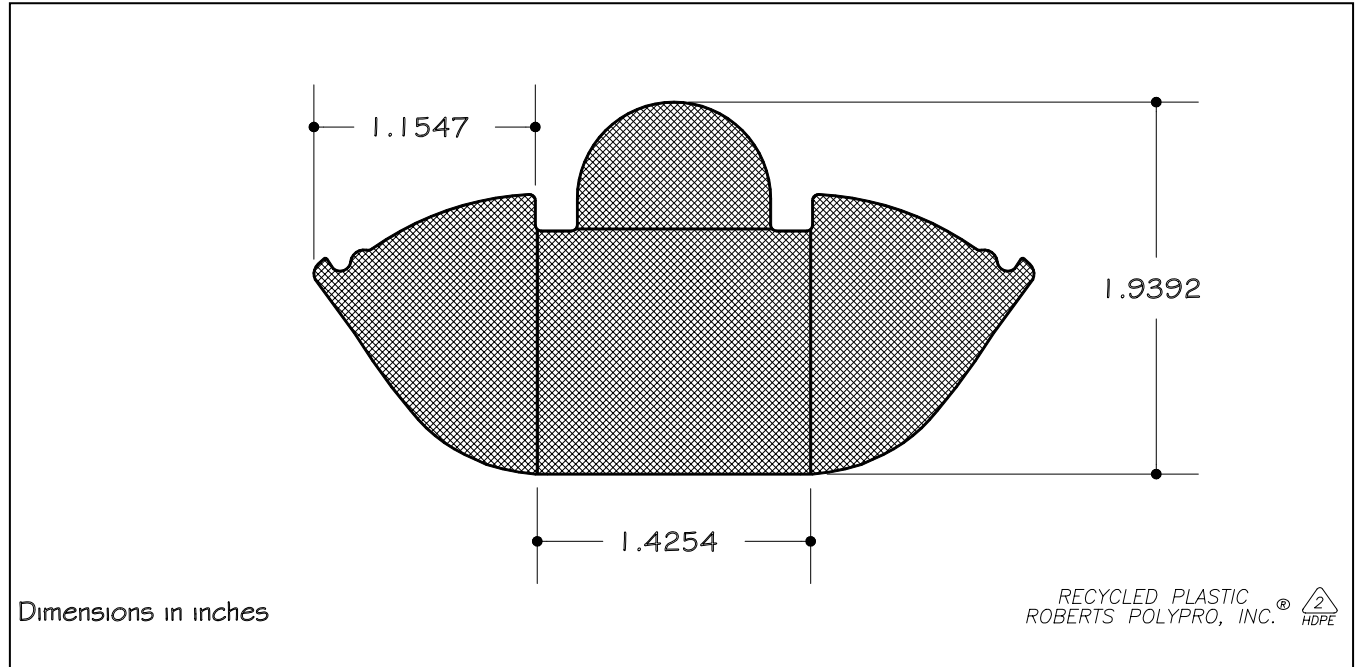


Product Group: Spouts
 Sub Group: PSP005 Series ¹
 Item: Inside Spout



Current Product Numbers

PSP005C.WHT Welded, White Inside Pour Spout
PSP005C.BLK Welded, Black Inside Pour Spout
PSP005C.NAT Welded, Natural Inside Pour Spout
Custom Ask us about customizing a product to meet your specifications

Quality Specifications

Material: High Density Polyethylene
Thickness: 0.0315" ± 0.0005"
Flatness Gauge: 1 Part Thickness
Surface Finish: Gloss
Part Weight: 2.15 grams
Cartridge Count: 190 ²
Cartridge Weight: 408.5 grams ²
Weld Strength: 4 lbs. ± 1 lb. ²
Weld Test Frequency: 1 Stick per Cavity - Every Six Cases ²

Packaging Information

Case Quantity:	<i>Loose:</i> N/A	<i>Welded:</i> 6800
Case Dimensions:	<i>Loose:</i> N/A	<i>Welded:</i> 15" × 12-1/4" × 9-1/4"
Pads per Case:	<i>Loose:</i> N/A	<i>Welded:</i> 4
Pad Dimensions:	<i>Loose:</i> N/A	<i>Welded:</i> 14-7/8" × 12-1/8"
Case Weight:	<i>Loose:</i> N/A	<i>Welded:</i> 33.81 lbs.
Pallet Weight:	<i>Loose:</i> N/A	<i>Welded:</i> 841 lbs.
Cases per Pallet:	<i>Loose:</i> N/A	<i>Welded:</i> 40
Packaging Notes:	<i>Loose</i> - N/A <i>Welded</i> - A pad is placed on the bottom of the case followed by 2 layers of 14 welded sticks and one layer of 8. Each stick contains 190 parts minimum. Each layer is separated by a pad, another pad is placed on top and the box is sealed.	

¹ This spout is an exclusive, patented Roberts PolyPro design.

² Applies only to welded spouts.